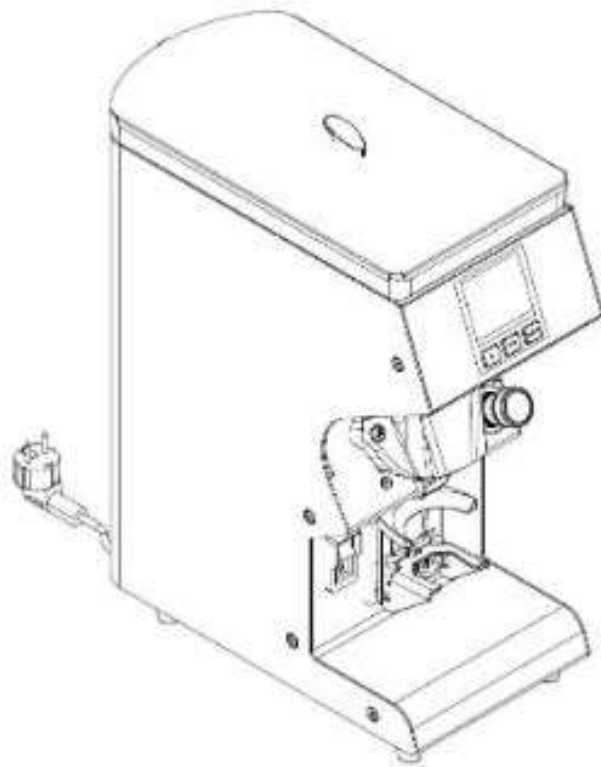


SPARE PARTS BOOK



Mythos



13/06/2025

Victoria Arduino

INSPIRED BY YOUR PASSION.



INSPIRED BY YOUR PASSION.

- T.01 **T.01 - PARTI MACINADOSATORE**
T.01 - PARTI MACINADOSATORE
- T.02a **MOTOR+DISPLAY PARTS**
PARTI MOTORE+DISPLAY
- T.02b **MOTOR+PILOT PARTS**
PARTI MOTORE+PILOT
- T.03 **FORKS TIMER-GRAVI**
FORCELLE TIMER-GRAVI

» LEGEND :

THE CODES WRITTEN IN BOLD REFER TO THE COMPONENTS
EMPLOYED CURRENTLY.

THE CODES USED BEFORE ARE WRITTEN IN CORSIVE WITH INDICATED,
ON THE SIDE, THE END OF VALIDITY DATE.

EXAMPLE:

03001531 - 01/09/2007

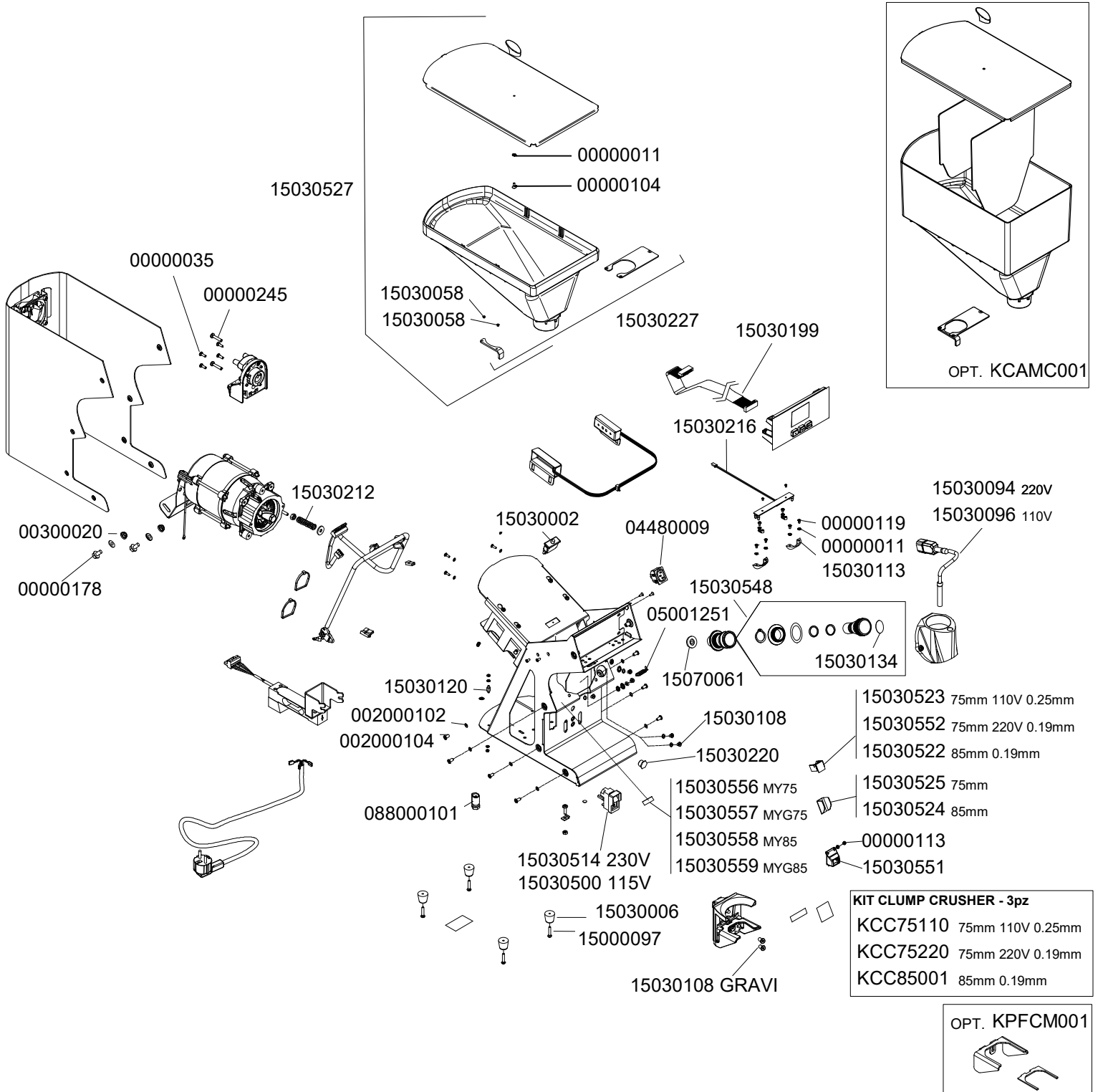
03001531



Plythos

T.01 - PARTI MACINADOSATORE

T.01 - PARTI MACINADOSATORE





Mythos

T.01 - PARTI MACINADOSATORE**T.01 - PARTI MACINADOSATORE**

| COD. | DESCRIPTION | DESCRIZIONE | VAL. |
|-----------|---|---|------|
| 00000011 | S/S KNURLED WASHER M4 UNI8842/A | RONDELLA INOX M4 ZIGRINATA UNI8842/A | |
| 00000035 | GALV CROSS HEAD/CAP SCREW M4X20 | VITE AQ M4x20 TC T.CR. ZINC | |
| 00000104 | S/S CROSSHEAD COUNTERSUNK SCREW M4x10 DIN965 | VITE INOX M4x10 TSP TCR DIN965 | |
| 00000113 | S/S CROSS HEAD CAP SCREW M4x6 7985 | VITE INOX M4x6 TC TCR 7985 | |
| 00000119 | SS CROSS HEAD COUNTERSUNK SCREW M4x6 ISO 7046 | VITE INOX M4x6 TSPTCR ISO 7046 | |
| 00000178 | GALV FLANGED KNURLED HEX CAP SCREW 8.8 M6x16 | VITE AQ 8.8 M6x16 TE FLANG. ZIGR. ZINC. BIANCO | |
| 00000245 | S/S SCREW M4X8 TC TCR DIN 7985 | VITE INOX M4x8 TC TCR DIN 7985 | |
| 002000102 | BURNISHED WASHER dn 10X thi 0.3 | RONDELLA AQ M6 sp.0,3 mm BRUNITA 6061.0022BR | |
| 002000104 | METRIC SCREW BN1206 M6x12 BLACK 10.9 | VITE AQ 10.9 M6x12 TCEI TESTA PIATTA BRUNITA6060.0191 | |
| 00300020 | S/S SELF-LOCKING NUT LOW M6 | DADO AUTOBLOC INOX M6 BASSO | |
| 04480009 | BUILT-IN PLUG IEC 3POLE FASTON 6,3 10A FEMALE | PRESA IEC-60320 C13 (FEMMINA) DA INCASSO 3 POLIFAST | |
| 05001251 | RUBBER USB COVER AURELIA II | CHIUSURA IN GOMMA PORTA USB LOGO V.A. | |
| 088000101 | CABLE CLAMP FOR THE PANEL MM. 13 | BLOCCACAVO CON VITE DA PANNELLO MM.136040.0023 | |
| 15000097 | GALV CROSS HEAD SCREW M5X25 6060.0016 | VITE AQ M5x25 TC. T.CR. ZINC. 6060.0016 | |
| 15030002 | SAFETY MICROSWITCH MYTHOS 4110.0007 | MICROSW SICUREZZA MYTHOS 4110.0007 | |
| R15030002 | KIT-SAFETY MICROSWITCH - 1Pcs | KIT-MICROSW SICUREZZA - 1Pz | |
| 15030006 | RUBBER FOOT MYTHOS 4100.0035 | PIEDINO GOMMA MYTHOS 4100.0035 | |
| R15030006 | KIT-RUBBER FOOT - 5Pcs | KIT-PIEDINO GOMMA - 5Pz** AD ESAURIMENTO ** | |
| 15030058 | S/S SCREW 3x5 TSP TCR 6060.0091 | VITE INOX M3x5 TSP TCR 6060.0091 | |
| R15030058 | KIT-S/S SCREW 3x5 TSP TCR - 20Pcs | KIT-VITE INOX M3x5 TSP TCR - 20Pz | |
| 15030094 | HEAT. ELEMENT 220V+ PLUG MYT VA/2/MYONE4650.0100 | RESISTENZA 230V + PRESA x MYT VA/2/MYONE 4650.0100 | |
| 15030096 | HEAT. ELEMENT 110V+ PLUG MYT VA/2/MYONE4650.0200 | RESISTENZA 110V + PRESA x MYT VA/2/MYONE 4650.0200 | |
| 15030108 | SCREW AQ M6x8 TCEI RIBAS.BN1206 BRUNITA 6060.0116 | VITE AQ M6x8 TCEI T.RIBAS.BN1206 BRUNITA 6060.0116 | |
| 15030113 | LED LID MYTHOS ONE 4110.0012 | COPERCHIO LED MYTHOS ONE 4110.0012 | |
| 15030120 | SPACER THERMOSTAT ENGINE MYTHOS ONE 2501.0020 | DISTANZIALE TERMOSTATO MOTORE MYTHOS ONE 2501.0 | |
| 15030134 | HANDLE ADHESIVE LABEL GRINDER REGISTER E80 | ETICHETTA REGOLAZ. MACINATURA SU POMELLO E80 | |
| 15030199 | 20WAY FLAT CABLE MYTHOS 2 CAV41 | CAVO FLAT 20 VIE X MYTHOS 2 CAV41 | |
| 15030212 | SHORT GRINDING REGULATOR SPRING ROD 6002.3708 | MOLLA TIRANTE REG. MACINATURA CORTA 6002.3708 | |
| 15030216 | LED MODULE MYTHOS 2 + CABLE 4600.0109 (+ CAV56) | MODULO LED MYTHOS 2 + CAVETTO 4600.0109 (+ CAV56) | |
| 15030220 | PLUG TAP MICRO MYTHOS 2 6050.0020 | DADO TAPPO MICRO MYTHOS 2 6050.0020 | |
| 15030227 | MYTHOS 2 HOPPER TAB | KIT GHIGLIOTTINA+LINGUETTA+VITI CAMPANA MYTHOS410 | |
| 15030500 | SWITCH 110V MYTHOS MY VA 1011.0054 | INTERRUTTORE 110V MYTHOS MY VA1011.0054 | |
| 15030514 | SWITCH 220VAC 1011.0055 | INTERRUTTORE 220Vac - 1011.00551011.0055 | |
| 15030522 | CLUMP CRUSHER sp.0,19 NM2 MYLAR 4650.0027MYR00-XX | CLUMP CRUSHER NM2 MYLAR sp.0,19 4650.0027MYR00-XXL | |
| 15030523 | CLUMP CRUSHER sp.0,25 NM1 4150.0027MYR00-XXL | CLUMP CRUSHER NM1 0,254150.2527MYR00-XXL | |
| 15030524 | COFFEE CHUTE S/S MYTHOS VA 85 4650.0084A0R00-901 | SCIVOLO MYTHOS VA 85 INOX LUCIDO 4650.0084A0R01-901 | |
| 15030525 | COFFEE CHUTE S/S MYTHOS VA 75 4150.0084A0R00-901 | SCIVOLO MYTHOS VA 75 INOX LUCIDO 4150.0084A0R00-901 | |
| 15030527 | COMPLETE HOPPER NM1/NM2 BLACK COVER 4650.1000A | CAMPANA COMPLETA NM1/NM2 COPERCHIO NERO4650.10 | |
| 15030548 | GRINDER REGISTER HANDLE NM2 RIC-POM. 4650-001 | POMELLO REGISTRO MACINATURA NM2RIC-POM.4650-001 | |
| 15030551 | EXTENDED GRINDER NOZZLE 4650.0007ALR01-XP5 | BOCCHETTONE BECCO USCITA NM2 LUCIDATO ALLARGAT | |
| 15030552 | CLUMP CRUSHER sp.0,19 NM1 4150.0027MYR01-XXL | CLUMP CRUSHER NM1 sp.0,19 4150.0027MYR01-XXL | |
| 15030556 | MYTHOS MY75 LABEL E00243-039006-R00 | ETICHETTA MYTHOS MY75 E00243-039006-R00 | |
| 15030557 | MYTHOS MYG75 LABEL E00244-039006-R00 | ETICHETTA MYTHOS MYG75 E00244-039006-R00 | |
| 15030558 | MYTHOS MY85 LABEL E00245-039006-R00 | ETICHETTA MYTHOS MY85 E00245-039006-R00 | |
| 15030559 | MYTHOS MYG85 LABEL E00246-039006-R00 | ETICHETTA MYTHOS MYG85 E00246-039006-R00 | |
| 15070061 | ROD BUSHING POSITIONING - MDJ TEFLON 2501.0026 | BOCCOLA CENTRAGGIO ASTA x MDJ TEFLON 2501.0026 | |
| KCAMC001 | KIT COFFEE HOPPER 3KG MYTHOS VA | KIT CAMPANA CAFFE' 3KG MYTHOS VA | |



INSPIRED BY YOUR PASSION.

T.01



Mythos

T.01 - PARTI MACINADOSATORE

T.01 - PARTI MACINADOSATORE

| COD. | DESCRIPTION | DESCRIZIONE | VAL. |
|----------|--|---|------|
| KCC75110 | KIT CLUMP CRUSHER D75 110V (3PZ.) RIC-FLA.4150-001 | KIT CLUMP CRUSHER MYTHOS VA D75 110V (3pz.)RIC-FLA. | |
| KCC75220 | KIT CLUMP CRUSHER D75 220V (3PZ.) RIC-FLA.4150-002 | KIT CLUMP CRUSHER MYTHOS VA D75 220V (3pz.)RIC-FLA. | |
| KCC85001 | KIT CLUMP CRUSHER D85 (3PZ.) 4650.0027MYR00-KIT | KIT CLUMP CRUSHER MYTHOS VA D85 (3pz.)4650.0027MYR | |
| KPFCM001 | PURE BREW FILTERHOLDER FORK GRINDER MYTHOS | FORCELLA MACININO MYTHOS VA PORTAFILTRO PURE BR | |



INSPIRED BY YOUR PASSION.

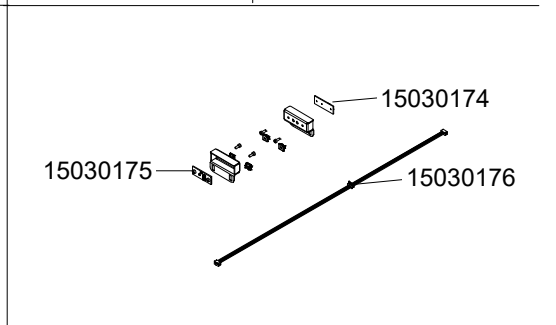
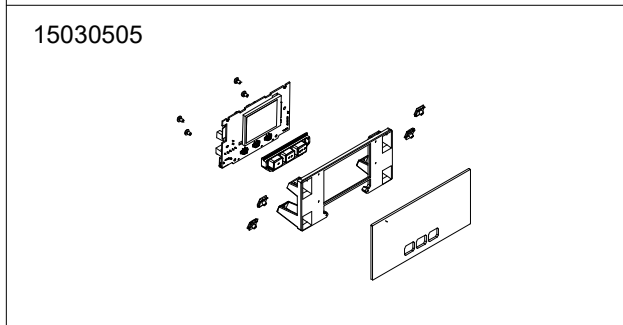
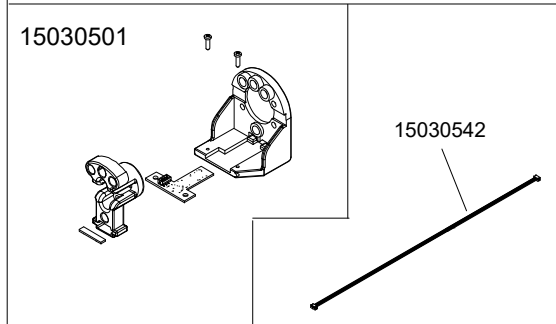
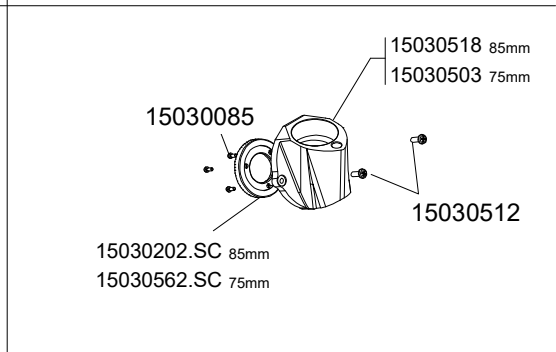
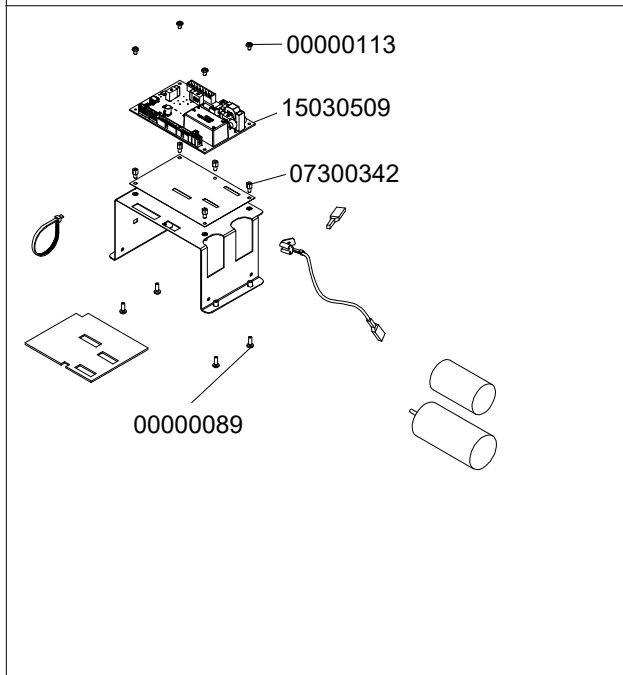
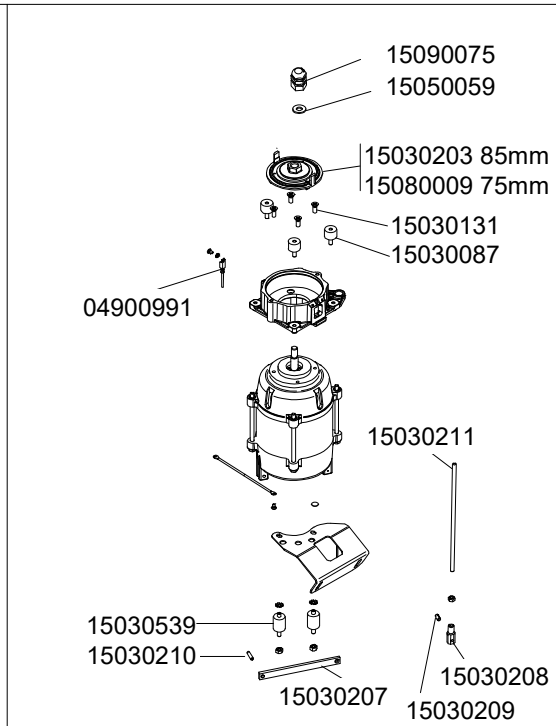
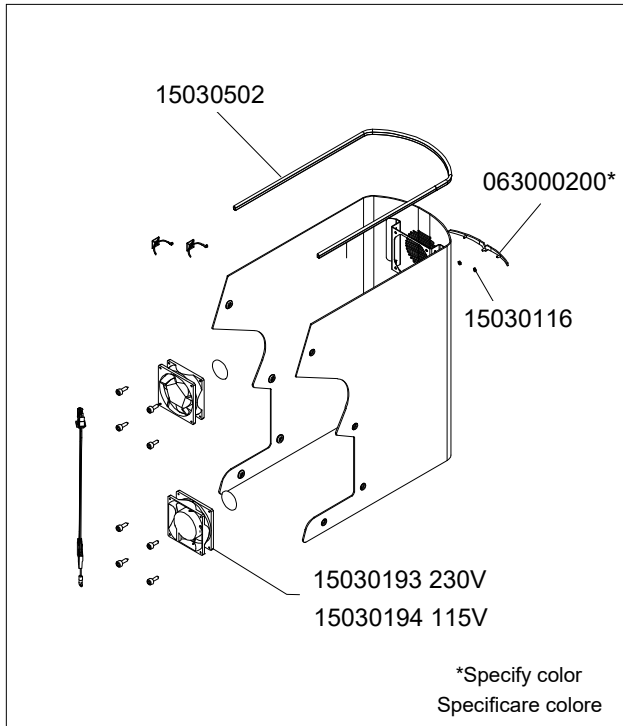
T.01



Plythos

PARTI MOTORE+DISPLAY

MOTOR+DISPLAY PARTS





Mythos

PARTI MOTORE+DISPLAY**MOTOR+DISPLAY PARTS**

| COD. | DESCRIPTION | DESCRIZIONE | VAL. |
|---------------|--|--|------|
| 00000089 | S/S CROSSHEAD CAP SCREW M4x12 DIN7985 | VITE INOX M4x12 TC TCR DIN7985 | |
| 00000113 | S/S CROS SHEAD CAP SCREW M4x6 7985 | VITE INOX M4x6 TC TCR 7985 | |
| 04900991 | GROUP TEMPERATURE PROBE PT1000 AURELIAII TFT | SONDA TEMPERATURA PT1000 GR. AURELIA II "DISPLAY A | |
| 063000200.OTV | LOGO VA PAINT. BRASS | LOGO AQUILA POSTERIORE NM1/NM2 OTTONE VERN. | |
| 063000200 | LOGO VA | LOGO AQUILA POSTERIORE NM1/NM2 CROMATO | |
| 063000200.RMV | LOGO VA PAINT. RED MAVERICK | LOGO AQUILA POSTERIORE NM1/NM2 ROSSO MAVERICK V | |
| 07300342 | NICKEL PLATED CONTROL UNIT SUPPORT PIN | PERNO SUPPORTO CENTRAL. VIP NICHELATO | |
| 15030085 | S/S SCREW M4x10 TCT(-) CUTTING HEAD 6060.0002 BURF | VITE INOX M4x10 TCT(-) TESTA TAGLIO 6060.0002FISS. MAC | |
| 15030087 | VIBRATION DAMPER D20xH15xL16 M6 M/F 4110.0010 | ANTIVIBRANTE D20xH15xL16 M6 M/F 4110.0010 | |
| 15030116 | SELF BLOCKING NUT M3 MYTHOS 6062.0011 | DADO AUTOBLOC M3 MYTHOS 6062.0011 | |
| 15030131 | S/S SCREW M6x16 TSP T.C.R. 6060.0012 | VITE INOX M6x16 TSP TCR 6060.0012 | |
| 15030174 | TX SENSOR FOR LEVEL SCREW W/O HEAD (RIGHT SIDE) | SENSORE TX PER LIVELLO GRANO (LATO DX) 4600.0106TX | |
| 15030175 | TX SENSOR FOR LEVEL SCREW W/O HEAD (LEFT SIDE) 4 | SENSORE RX PER LIVELLO GRANO (LATO SX) 4600.0106RX | |
| 15030176 | CONNECTION CABLE FOR SENSOR COFFEE PRESENCE I | CAVO COLL. SENSORI PRESENZA CAFFE' MYTHOS2 CAV10 | |
| 15030193 | FAN 230V MYTHOS 2 CABLED 4600.0420 | VENTOLA 230V MYTHOS 2 CABLATA 4600.0420 | |
| 15030194 | FAN 110V MYTHOS 2 CABLED 4600.0410 | VENTOLA 110V MYTHOS 2 CABLATA 4600.0410 | |
| 15030202.SC | BURR PAIR D.85 LONG LIFE + BOX | COPPIA MACINE D.85 LONG LIFE + SCATOLA | |
| 15030203 | INFERIOR BURR HOLDER MYTHOS 2 4600.0014-RIC | PORTAMACINA INF. MYTHOS 2 4600.0014-RIC | |
| 15030207 | MYTHOS LOW REGISTER AUCTION 2570.0005 | ASTA REGISTRO MYTHOS LOW 2570.0005 | |
| 15030208 | FORK REGISTER MDL / C- MCD - MYTHOS 2501.0013 | FORCELLA REGISTRO MDL/C- MCD -MYTHOS 2501.0013 | |
| 15030209 | ELASTIC PIN 5x12 6040.0019 | SPINA ELASTICA 5x12 6040.0019 | |
| 15030210 | ELASTIC PIN 5x20 6040.0001 | SPINA ELASTICA 5x20 6040.0001 | |
| 15030211 | TIE-ROD REG. MCD - MYTHOS LOW 6001.0005 | TIRANTE REG. MCD - MYTHOS LOW 6001.0005 | |
| 15030501 | BURRS READING SET 4650.0820A0R00-XXX | KIT LETTURA MACINE4650.0820A0R00-XXX | |
| 15030502 | DAMPING GASKET 4110.0011v1509 | GUARNIZIONE SMORZATRICE 4110.0011v1509(MYTHOS ON | |
| 15030503 | SUPERIOR BURR HOLDER D.75 4150.0005A0R00-XP5 | PORTAMACINE SUP. DIA.75 NM1 LUC4150.0005A0R00-XP5 | |
| 15030505 | CONTROL PANEL 4650.0020A0R05-XXX | PANN. COMANDI x MYTHOS NM1/NM24650.0020A0R05-XXX | |
| 15030509 | MAIN BOARD 220/100 V 4650.0210A0R00-XXX | SCHEDA ALIMENTAZIONE 220/100V4650.0210A0R00-XXX | |
| 15030512 | S/S SCREW CROSS CYL HEAD M6X16 6060.0169 | VITE INOX(A2) TCC 6X16 ISO 7045-H 6060.0169 | |
| 15030518 | SUPERIOR BURR HOLDER D.85 4650.0005A0R00-XP5 | PORTAMACINE SUP. DIA.85 NM2 LUC4650.0005A0R00-XP5 | |
| 15030539 | VIBRAT.DAMPER D20xH25 M6x6 M6x14 SH.60 6040.0098 | ANTIVIBRANTE D20xH25 M6x6 M6x14 SH.60 6040.0098 | |
| 15030542 | DISPLAY-GRINDING READER CONNECT. CABLE CAV105 | CAVO COLLEG. DISPLAY-LETT.MACINE CAV105 | |
| 15030562.SC | BURR PAIR D.75 MYTHOS LONG LIFE + BOX | COPPIA MACINE D.75 LONG LIFE 2024 + SCATOLA | |
| 15050059 | S/S WASHER M10 10,5x21 UNI6592 6061.0001 | RONDELLA INOX M10 10,5x21 UNI6592 6061.0001 | |
| 15080009 | INFERIOR BURR HOLDER 75 2520.0005-RIC | PORTAMACINA INFERIORE 75 2520.0005-RIC | |
| 15090075 | NUT-STOP BURR HOLDER 2501.0003-R04 | DADO FERMA PORTAMACINE 2501.0003-R04 | |



Plythos

PARTI MOTORE+PILOT

MOTOR+PILOT PARTS

| CAPACITOR & PILOT | | |
|------------------------------|------------------|--------------|
| | CAPACITOR | PILOT |
| MY85 110V | 15030027 | 15030226 |
| MY75 110V | 2 x 15030068 | No present |
| MY75HS 220V | 15030515 | No present |
| MY85 220V | 15030515 | 15030519 |

| CAPACITOR & PILOT | | | | |
|------------------------------|--|--|--|--|
| | Capacitor before | Pilot before | Capacitor after | Pilot after |
| MY75 220V | SN N10072402002295 (11/01/2024) 15030515 | SN N10072402002295 (11/01/2024) No present | SN N10072402002295 (11/01/2024) 15030515 | SN N10072402002295 (11/01/2024) 15030519 |
| | SN N20072351000948 (12/01/2024) 15030515 | SN N20072351000948 (12/01/2024) No present | SN N20072351000948 (12/01/2024) 15030515 | SN N20072351000948 (12/01/2024) 15030519 |
| MY75G 220V | | | | |

| MOTORS | |
|---------------|----------|
| MY75 110V | 15030534 |
| MY75 220V | 15030561 |
| MY75HS 220V | 15030565 |
| MY85 110V | 15030532 |
| M85 220V | 15030531 |



Mythos

PARTI MOTORE+PILOT

MOTOR+PILOT PARTS

| COD. | DESCRIPTION | DESCRIZIONE | VAL. |
|----------|--|--|------|
| 15030027 | 60 mF UL CONDENSER 10130060 | CONDENSATORE 60mF UL 1013.0060 | |
| 15030068 | CAPACITOR 50mF x MYTHOS LOW-SPEED 110V 1012.0007 | CONDENSATORE 50mF x MYTHOS LOW-SPEED 110V1012.0 | |
| 15030226 | PILOT 110V FOR MYTHOS 2 1012.0009 | PILOT 110V X MYTHOS 2 1012.0009 | |
| 15030515 | CAPACITOR MF. 16/450 1013.1600 | CONDENSATORE MF.16/4501013.1600 | |
| 15030519 | STARTER GROUP S1-10-00-450 - Ts=0,3 10uF 1012.0014 | GRUPPO AVVIAMENTO S1-10-00-450 - Ts=0,3 10uF1012.0014 | |
| 15030531 | COMPLETE ENGINEMYTHOS VA D.85 220V | MOTORE COMPL. MYTHOS VA D.85 220V RIC-MO2.9058-001 | |
| 15030532 | COMPLETE ENGINE VA D.85 110 V | MOTORE COMPL. MYTHOS VA D.85 110V RIC-MO1.9058-001 | |
| 15030534 | COMPLETE ENGINE MYTHOS VA D.75 110V | MOTORE COMPL. MYTHOS VA D.75 110V RIC-MO1.9057-001 | |
| 15030561 | COMPLETE ENGINE MYTHOS VA D.75 220V | MOTORE COMPL. MYTHOS VA D.75 "2024" 220VRIC-MO2.9057-0 | |
| 15030565 | COMPLETE ENGINEMYTHOS VA D.75 HS 220V | MOTORE COMPL. MYTHOS VA HS D.75 220VRIC-MO2.9057-0 | |



INSPIRED BY YOUR PASSION.

T.02b

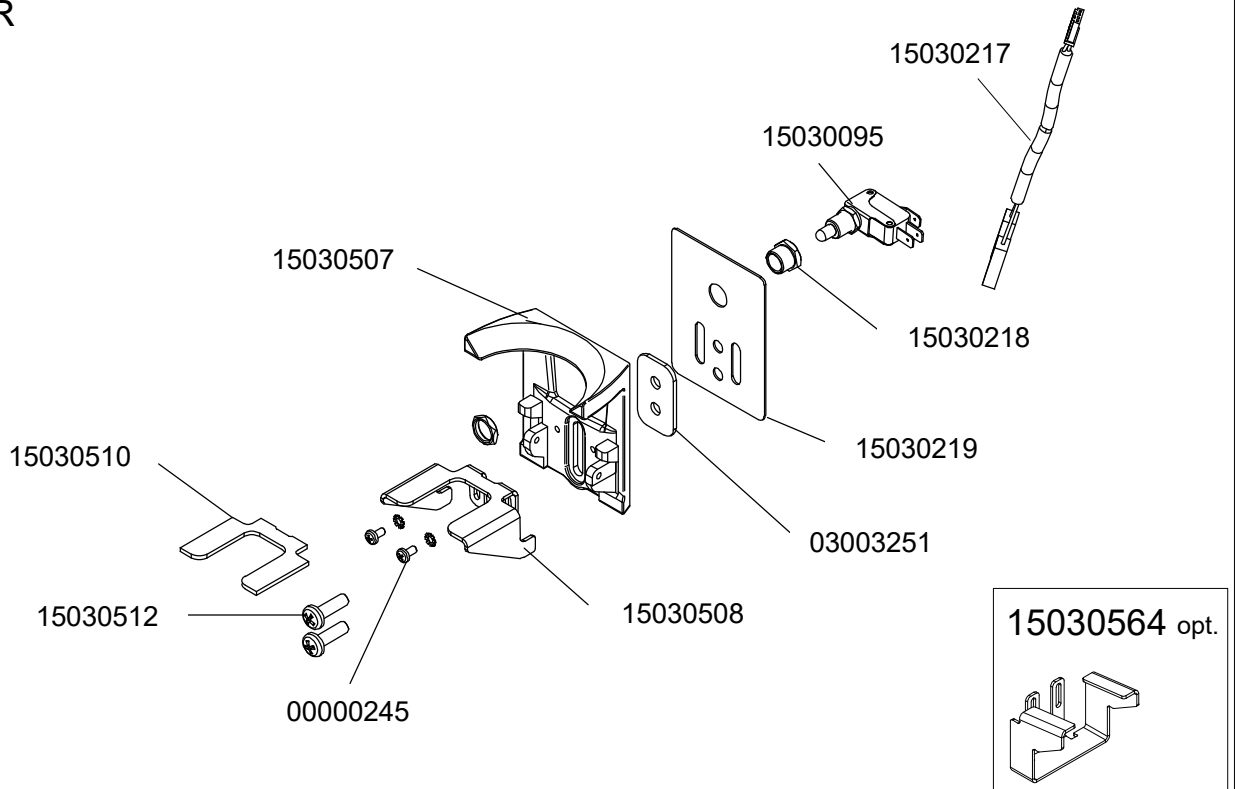


Plythos

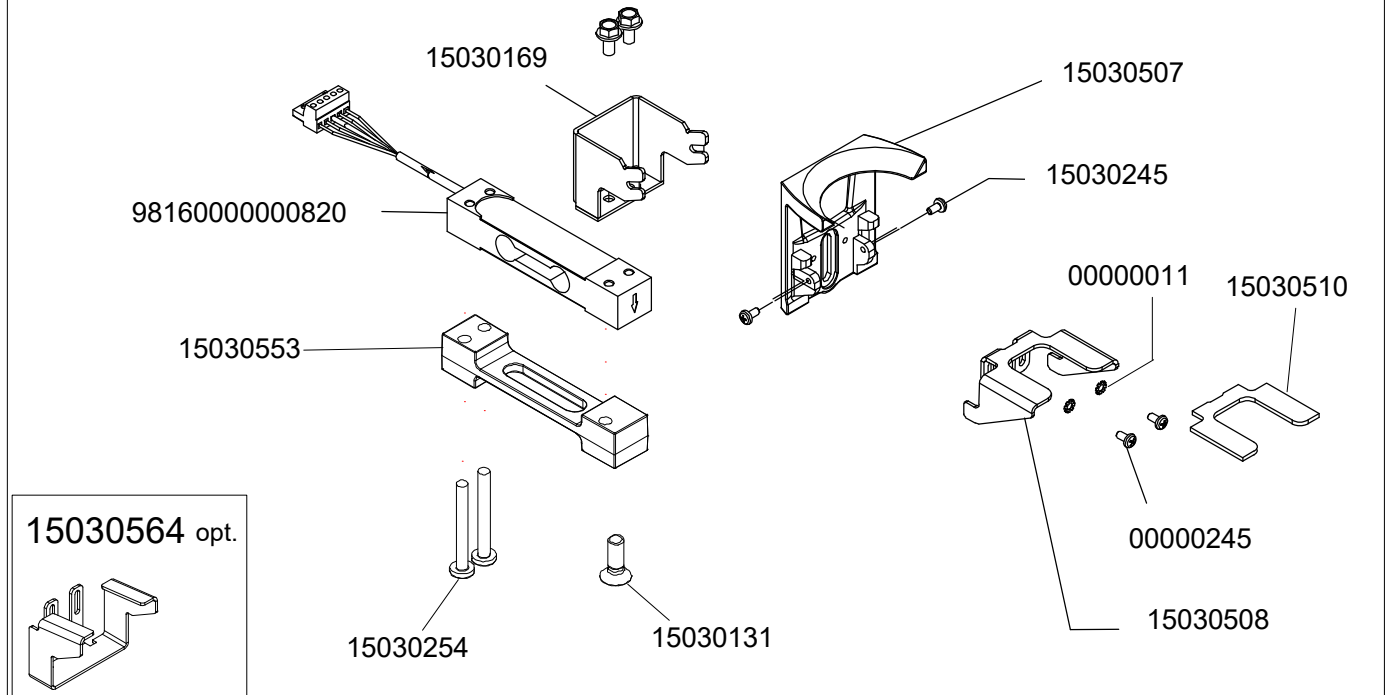
FORCELLE TIMER-GRAVI

FORKS TIMER-GRAVI

TIMER



GRAVI





Mythos

FORCELLE TIMER-GRAVI

FORKS TIMER-GRAVI

| COD. | DESCRIPTION | DESCRIZIONE | VAL. |
|-----------------|---|--|------|
| 00000011 | S/S KNURLED WASHER M4 UNI8842/A | RONDELLA INOX M4 ZIGRINATA UNI8842/A | |
| 00000245 | S/S SCREW M4X8 TC TCR DIN 7985 | VITE INOX M4x8 TC TCR DIN 7985 | |
| 03003251 | SCALE EXTENT SUPPORT VA388 | LAMIERA SPESSORE SUPPORTO BILANCIA VA388 | |
| 15030095 | MICROSWITCH ACTIVATION GRINDER MYTHOS ONE 4110 | MICROSW ATTIV. MACIN. MYTHOS ONE 4110.0014 | |
| 15030131 | S/S SCREW M6x16 TSP T.CR. 6060.0012 | VITE INOX M6x16 TSP TCR 6060.0012 | |
| 15030169 | SCALE PORTAFILTER SUPPORT MYTHOS 2 4600.0093 | SUPP. PORTAF. BILAN. MYTHOS 2 4600.0093 | |
| 15030217 | CONNECTION CABLE MICRO ACTIVATION GRINDER MYTH | CAVO COLL. MICRO ATTIV. MACIN. MYTHOS 2 CAV44 | |
| 15030218 | GUIDE NUT MICRO ACTIVATION GRINDER MYTHOS 2 6050 | DADO GUIDA MICRO ATTIV. MACIN. MYTHOS 2 6050.0019 | |
| 15030219 | SCALE HOLES CLOSING MYTHOS 2 4600.0096 | CHIUSURA FORI BILANCIA MYTHOS 2 4600.0096 | |
| 15030245 | STAINLESS STEEL SCREW M4x8 TE 6060.0127 | VITE INOX M4x8 TE 6060.0127 | |
| 15030254 | | VITE AQ M6X50 TCC ISO 7045/UNI 7687 ZINC 6060.0188 | |
| 15030507 | FORK 4650.0089A0R01-XP5 | FORCELLA NM2/NM1 LUCIDATA4650.0089A0R01-XP5 | |
| 15030508 | PORTAFILTER STAFF HOLDER 4650.0089LMR00-901 | STAFFA PORTAFILTRO NM2/NM1 ACCIAIO INOX LUCIDO465 | |
| 15030510 | FORK ADHESIVE RUBBER 6045.0013 | GOMMA ADESIVA FORCELLA NUOVI MYTHOS6045.0013 | |
| 15030512 | S/S SCREW CROSS CYL HEAD M6X16 6060.0169 | VITE INOX(A2) TCC 6X16 ISO 7045-H 6060.0169 | |
| 15030516 | SCALE SUPPORT 4600.0094A0R01-XXL | SUPPORTO BILANCIA x MYTHOS 24600.0094A0R01-XXL | |
| 15030553 | SCALE SUPPORT WITH LIMIT SWITCH 4650.0094A0R00-XX | SUPPORTO BILANCIA CON FINECORSO 4650.0094A0R00-XX | |
| 15030564 | PORTAFILTER FORK MYTHOS VA "MZ" RIC-FOR.4650-001 | FORCELLA MYTHOS VA "MZ" RIC-FOR.4650-001 | |
| 98160000000820 | LOAD CELL SET W 3kg/ CONNECTOR | ASSIEME CELLA DI CARICO 3kg VA388 + CONNETTORE | |
| R98160000000820 | KIT-LOAD CELL SET W/ CONNECTOR - 1Pcs | KIT-ASSIEME CELLA DI CARICO + CONNETTORE - 1Pz | |



INSPIRED BY YOUR PASSION.

T.03



INSPIRED BY YOUR PASSION.

Simonelli Group s.p.a.
Via E. Betti, 1 - 62020 Belforte
del Chienti - (MC) Italy
Tel. +39 0733.950243 - Fax +39
0733.850247
e-mail: info@victoriaarduino.com
com www.victoriaarduino.com