

# SPARE PARTS BOOK

ATOM  
SPECIAL EDITION



28/05/2024

---

*Victoria Arduino*

INSPIRED BY YOUR PASSION.



INSPIRED BY YOUR PASSION.

- T. 01 **GRINDER BODY**  
CORPO MACINADOSATORE
- T. 02 **ENGINE + COFFEE SLIDE + FORK**  
MOTORE+SCIVOLO CAFFE'+FORCELLA

» LEGEND :

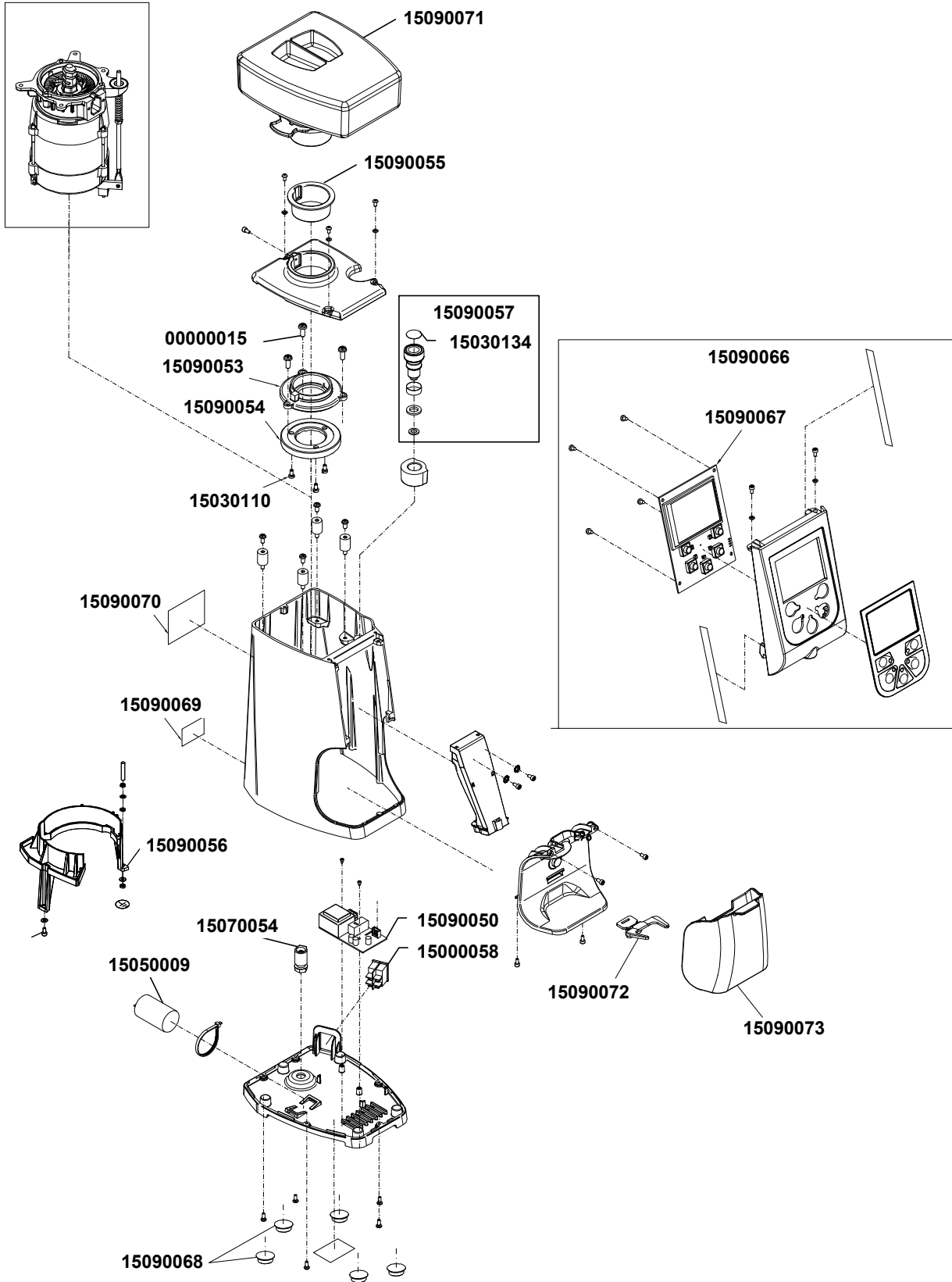
THE CODES WRITTEN IN BOLD REFER TO THE COMPONENTS  
EMPLOYED CURRENTLY.

THE CODES USED BEFORE ARE WRITTEN IN CURSIVE WITH INDICATED,  
ON THE SIDE, THE END OF VALIDITY DATE.

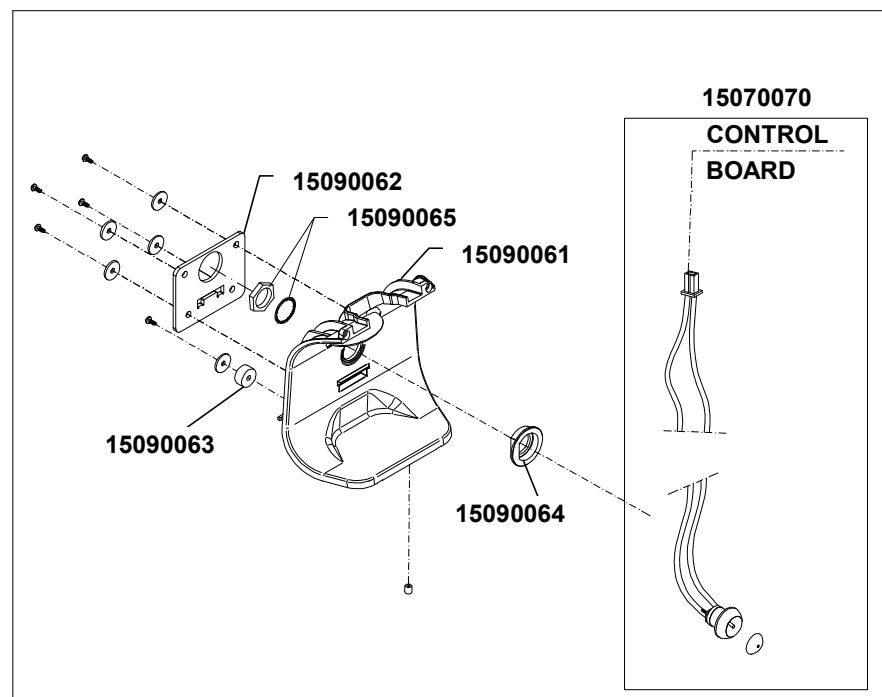
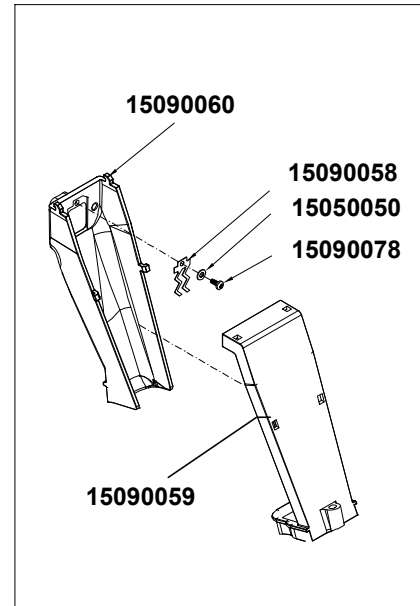
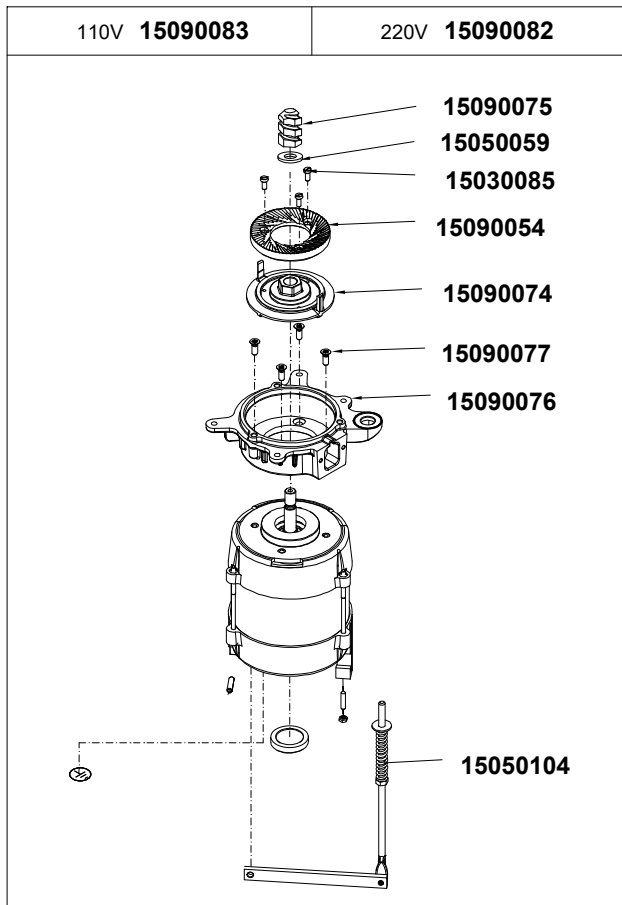
EXAMPLE:

*03001531 - 01/09/2007*

**03001531**



COD.	DESCRIPTION	DESCRIZIONE	VAL.
00000015	GALV CROSS HEAD CAP SCREW M6x16	VITE AQ M6x16 TC T.CR. ZINC	
15000058	SWITCH MONOF.L. 1011.0001	INTERRUTTORE MONOF.L. 1011.0001	
R15000058	KIT-SWITCH MONOF.L. - 4Pcs	KIT-INTERRUTTORE MONOF.L. - 4Pz	
15030110	S/S SCREW M4x8 CUT HEAD 6060.0032	VITE INOX M4x8 TESTA TAGLIO 6060.0032	
15030134	HANDLE ADHESIVE LABEL GRINDER REGISTER E80	ETICHETTA REGOLAZ. MACINATURA SU POMELLO E80	
15050009	CAPACITOR 10microF x 04500031	CONDENS. 10microF x 04500031 1013.0010	
15090050	POWER SUPPLY BOARD 220V	SCHEDA ALIMENT. 220V ATOM v.16/05+RRN 2580.0220	
15090053	SUPERIOR BURR HOLDER 65mm	PORTAMACINE SUP.65mm ATOM AG/05 2581.0005-65	
15090054	FLAT BURR 65mm	MACINA PIANA mm.65 MAC64ITA	
15090055	GASKET HOPPER	GUARNIZIONE CAMPANA x ATOM 2580.0035A0R03-XXG	
15090056	VERTEBRA ENGINE BLOCK	VERTEBRA BLOCCO MOTORE x ATOM 2580.0126	
15090057	COMPLETE KNOB GROUP	GRUPPO POMELLO ATOM COMPLETO 2580.1900(PH)	
15090066	COMPLETE GROUP PANEL	GR. PANN. COMPLETO ATOM E1 PRIMA CROMO 110V/220V	
15090067	DISPLAY BOARD NEW LOGO ATOM	SCHEDA DISPLAY NEW LOGO x ATOM SPECIALTY2581.0015	
15090068	FOOTH	PIEDINO x ATOM SPECIALTY/PRO 6040.0101	
15090069	LABEL "BY EUREKA" - E1 PRIMA	ETICHETTA "BY EUREKA" - E1 PRIMAE00219-048010-R00	
15090070	LABEL "SPECIAL EDITION E1 PRIMA"	ETICHETTA "SPECIAL EDITION E1 PRIMA"E00220-073020-R00	
15090071	COMPLETE HOPPER	CAMPANA COMP. ATOM CONFEZIONATA 2580.1000KIT-R01	
15090072	ADJUSTABLE FORK GROUP	GR. FORCELLA REGOLABILE ATOM 2580.1800M(PH)	
15090073	CONTAINER FOR FILTER	CONTENITORE PER FILTRO 2580.0500M	



COD.	DESCRIPTION	DESCRIZIONE	VAL.
15030085	S/S SCREW M4x10 TCT(-) CUTTING HEAD 6060.0002 BURR	VITE INOX M4x10 TCT(-) TESTA TAGLIO 6060.0002FISS. MAC	
R15030085	KIT-S/S SCREW M4x10 TCT(-) CUTTING HEAD - 8Pcs	KIT-VITE INOX M4x10 TCT(-) TESTA TAGLIO - 8Pz	
15050050	WASHER D.3 FLAT 6061.0021	RONDELLA D.3 PIANA 6061.0021	
15050059	S/S WASHER M10 10,5x21 UNI6592 6061.0001	RONDELLA INOX M10 10,5x21 UNI6592 6061.0001	
15050104	GRINDING REGULATOR SPRING ROD 6002.7360	MOLLA TIRANTE REG. MACINATURA 6002.7360	
15070070	KIT MICRO (1000.0007 + CABLE73 +6062.0018-007) 4402.800	KIT MICRO (1000.0007 + CAV73 +6062.0018-007)4402.8000	
R15070070	KIT-KIT MICRO - 1Pcs	KIT-KIT MICRO - 1Pz	
15090054	FLAT BURR 65mm	MACINA PIANA mm.65 MAC64ITA	
15090058	FLAP METAL 0,10mm	FLAP METAL x ATOM 0,10mm ver.1802 2580.0027V1802	
15090059	COVER FOR CHUTE	COPERCHIO x SCIVOLO ATOM SPECIALTY 2581.0055v2001	
15090060	CHUTE	SCIVOLO x ATOM SPECIALTY 2581.0084	
15090061	DISPENSING INSERT	INSERTO EROGAZIONE x ATOM 2580.0023	
15090062	PLATE FORK LOCKING	PIASTRA DENTE BLOCCAGGIO FORCELLA-ATOM 2580.0081	
15090063	MAGNET D=16X16XH4	MAGNETE dia.16x6xH4 x ATOM 2580.0036	
15090064	MICROSWITCH ADAPTOR	ADATTATORE x MICROSWITCH (1000.0009) 2580.0108	
15090065	NUT+WASHER KIT	KIT DADO+ROSETTA ANTISV PER 1000.00076062.0018-0007	
15090074	INFERIOR BURR HOLDER 65AG/02	PORTAMACINE INFERIORE 65AG/02 2501.0002	
15090075	NUT-STOP BURR HOLDER	DADO FERMA PORTAMACINE 2501.0003-R04	
15090076	HEAD INFERIOR BURR HOLDER	TESTINA PORT. MAC. INFxATOM LAVrev2 2580.0016v180	
15090078	PLASTIC SCREW 3x7	VITE 3x7 xPlastica (WN1412KB30X7Z) 6060.0135	
15090082	COMPLETE 220 V ENGINE ATOM	MOTORE COMPL. ATOM D.65 220V RIC-MO2.9061-001	
15090083	COMPLETE 110 V ENGINE ATOM	MOTORE COMPL. ATOM D.65 110V RIC-MO1.9061-001	



INSPIRED BY YOUR PASSION.

Simonelli Group s.p.a.  
Via E. Betti, 1 - 62020 Belforte  
del Chienti - (MC) Italy  
Tel. +39 0733.950243 - Fax +39  
0733.850247  
e-mail: [info@victoriaarduino.com](mailto:info@victoriaarduino.com)  
com [www.victoriaarduino.com](http://www.victoriaarduino.com)